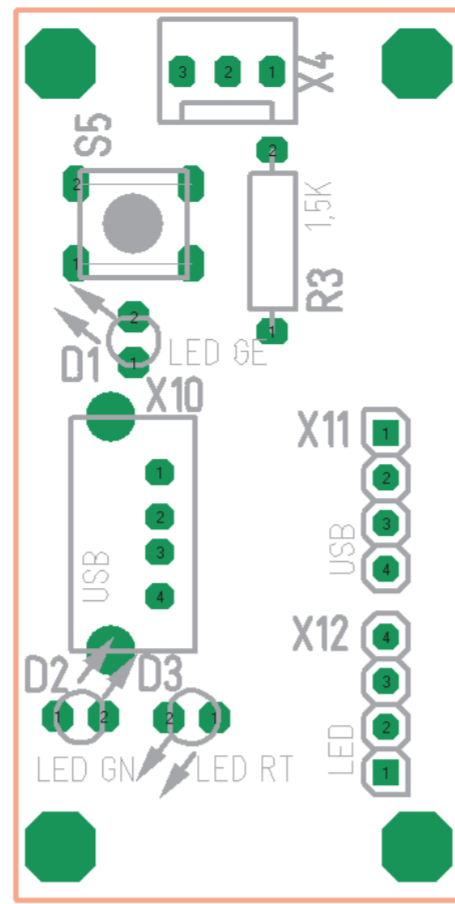
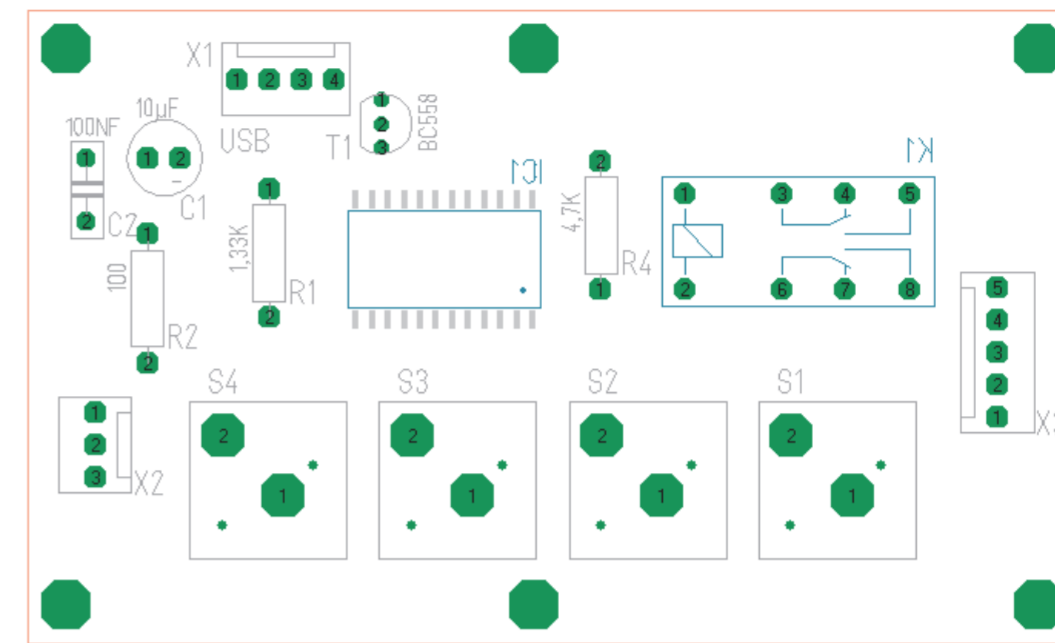


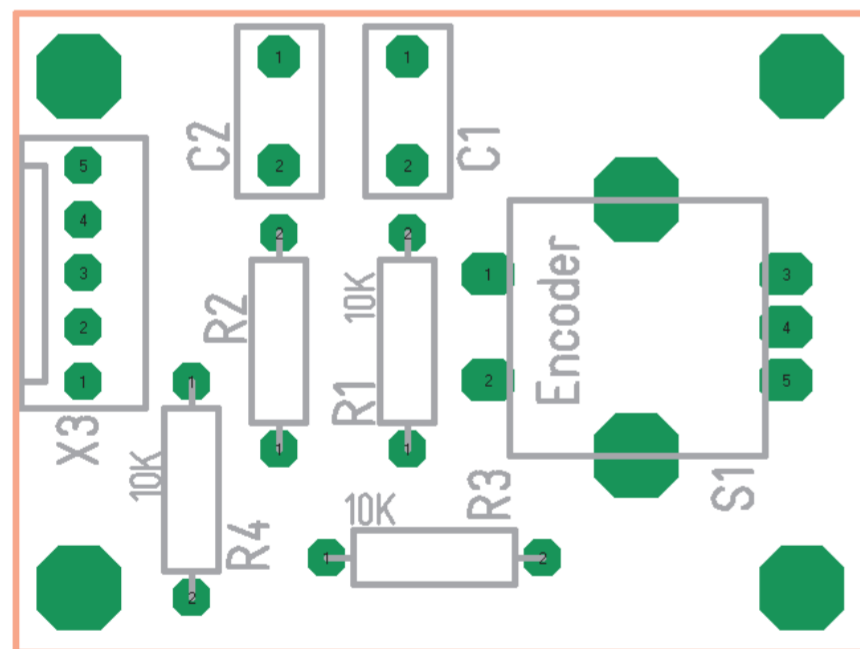
Pos	Name	Wert	Gehäuse
1	IC1	TSOP1736	TSOP17..
2	IC2	ATTINY	DIL8
3	IC3	CNY17	DIL6
4	R1	390	0207
5	S1	JTP-1230	TACT_JTP-1230
6	X2	PSS254/3G	PSS254/3G
7	X4	PSS254/3G	PSS254/3G
8	X5		1X02



Pos	Name	Wert	Gehäuse
1	D1	LED GE	LED_3MM_GELB
2	D2	LED GN	LED_3MM_GRÜN
3	D3	LED RT	LED_3MM_ROT
4	R3	1,5K	0207
5	S5	JTP-1230	TACT_JTP-1230
6	X4	PSS254/3G	PSS254/3G
7	X10	USB	USB-A-PRINT/STEHEND
8	X11	USB	1X04
9	X12	LED	1X04



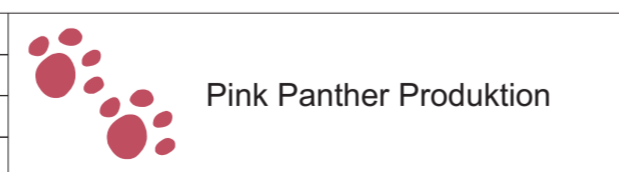
Pos	Name	Wert	Gehäuse
1	C1	10µF	C_ELKO_RM2,54_DM6
2	C2	100NF	C_RM5,08
3	IC1	IOW24-S	SOIC24
4	K1	KLEINRELAIS-2P_5V_125-OHM	RELAIS-FUJI-FBR240
5	R1	1,33K	0207_MET
6	R2	100	0207
7	R4	4,7K	0207
8	S1	TASTER_Oval	TASTER OVAL
9	S2	TASTER_Oval	TASTER OVAL
10	S3	TASTER_Oval	TASTER OVAL
11	S4	TASTER_Oval	TASTER OVAL
12	T1	BC558	TO92 (1)
13	X1	USB	PSS254/4G
14	X2	PSS254/3G	PSS254/3G
15	X3	PSS254/5G	PSS254/5G



Pos	Name	Wert	Gehäuse
1	C1	0,01µF	4X8R5,08
2	C2	0,01µF	4X8R5,08
3	R1	10K	0207
4	R2	10K	0207
5	R3	10K	0207
6	R4	10K	0207
7	S1	Encoder	DREH ENCODER
8	X3		PSS254/5G

Index	Datum	Geprüft von	Prüfvermerk

Erstellt:	01.11.2010
	Gunnar Gröbel
I. Änderung:	



Braun Mediacenter MC1
Bestückungsplan Platinen

Rev. Nr. 1.0.0
Projekt: MC1

Blatt: 1	Blatt -:
Von: 1	Blatt +: